
Appendix B

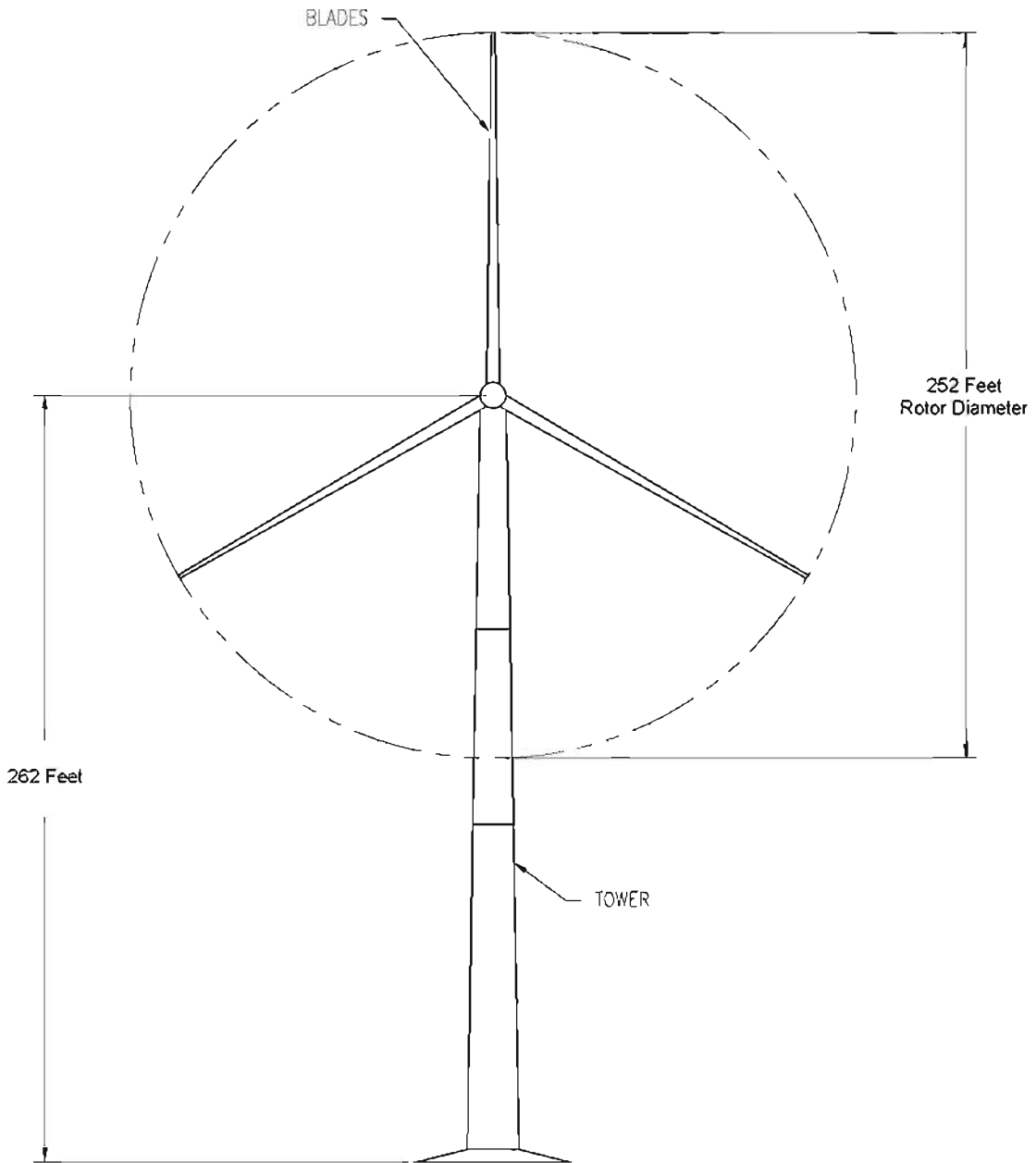
--This page left intentionally blank--

Appendix B

Engineering Drawings

- **Figure B-1** General Electric 1.5sle Wind Energy Turbine
- **Figure B-2** Main Components of a Typical Wind Turbine
- **Figure B-3** Typical Crane Pad Layout
- **Figure B-4** Typical Layout for a Turbine Apron Plan
- **Figure B-5** Crow Lake Alternative Collector Substation Layout & Electrical Bus Arrangement

--This page left intentionally blank--



GE WIND ENERGY 1.5 SLE 60 HZ WIND TURBINE

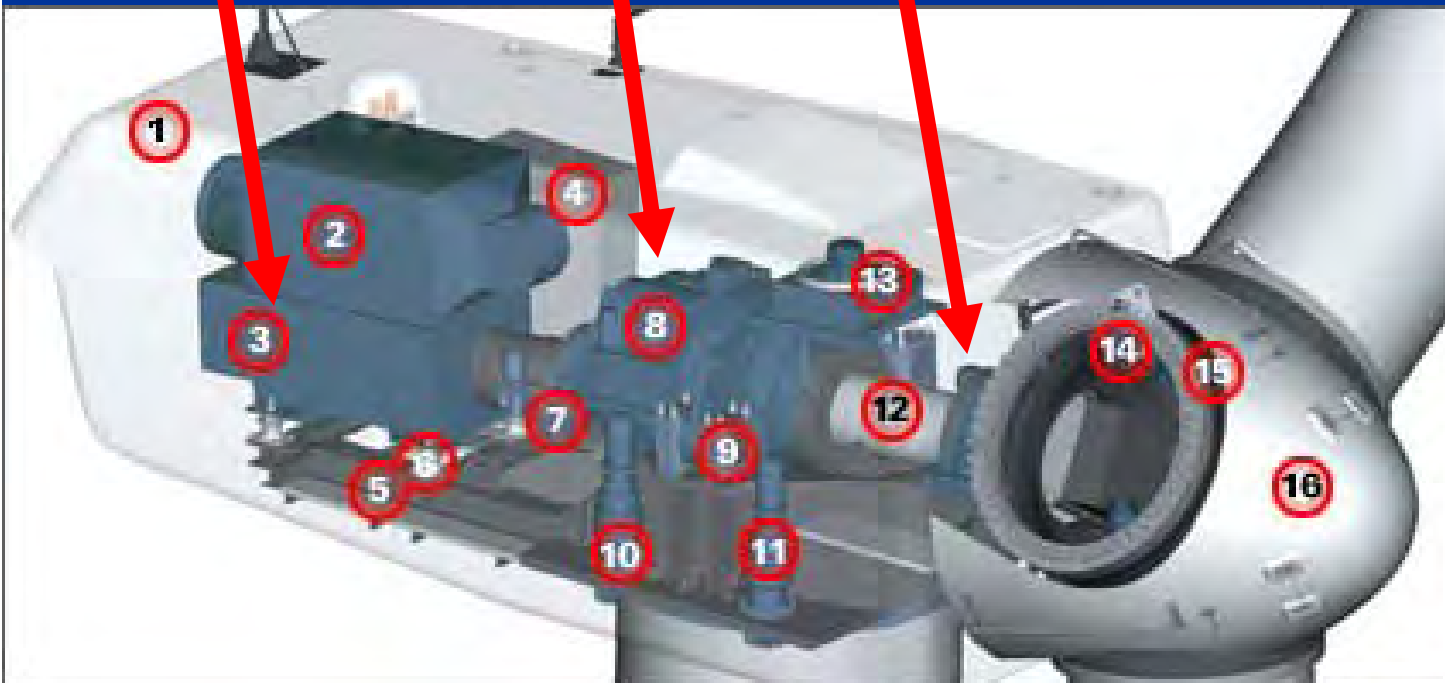
--This page left intentionally blank--

3 Major Components of Turbines

Generator

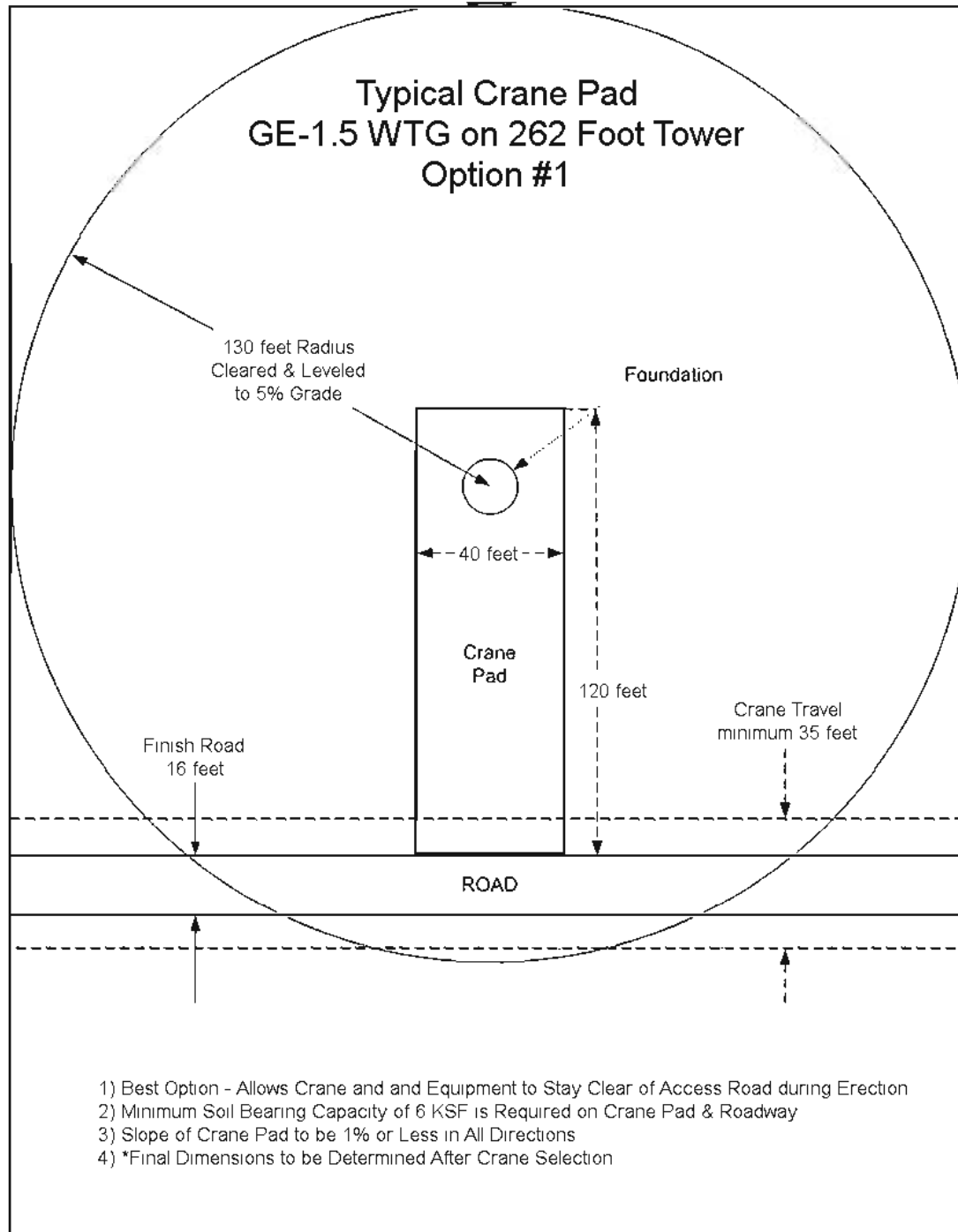
Gearbox

Rotor/Blades/Main Shaft



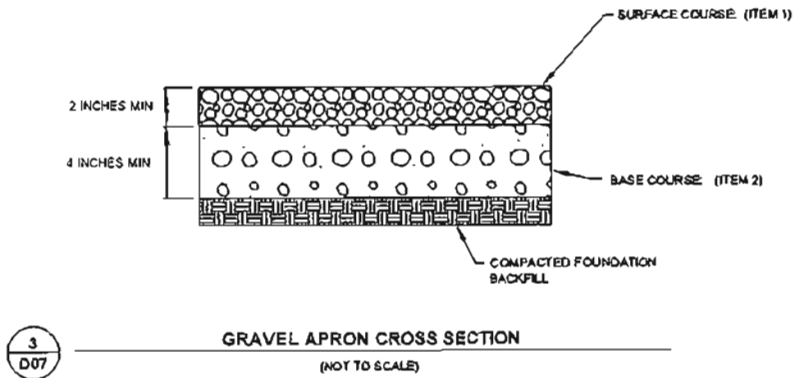
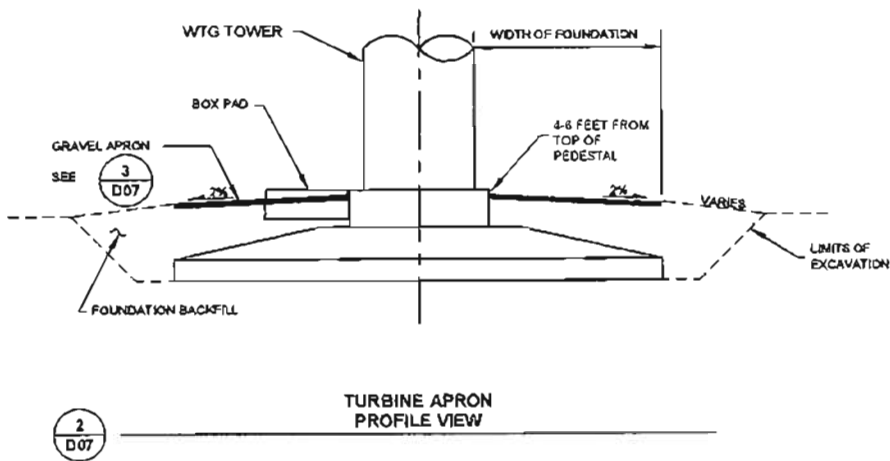
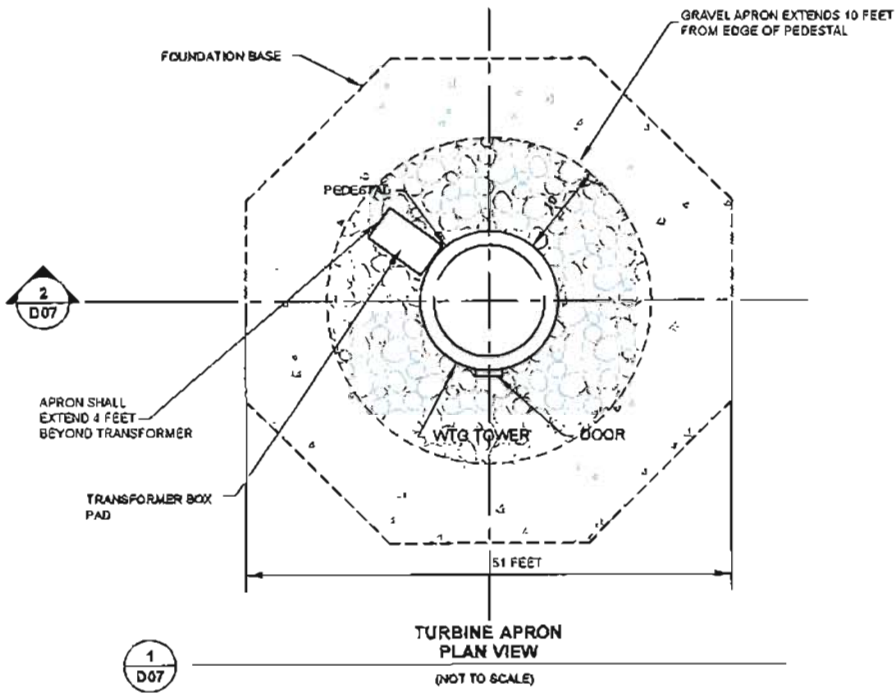
1. Nacelle
2. Heat Exchanger
3. Generator
4. Control Panel
5. Main Frame
6. Impact Noise Insulation
7. Hydraulic Parking Brake
8. Gearbox
9. Impact Noise Insulation
10. Yaw Drive
11. Yaw Drive
12. Rotor Shaft
13. Oil Cooler
14. Pitch Drive
15. Rotor Hub
16. Nose Cone

--This page left intentionally blank--

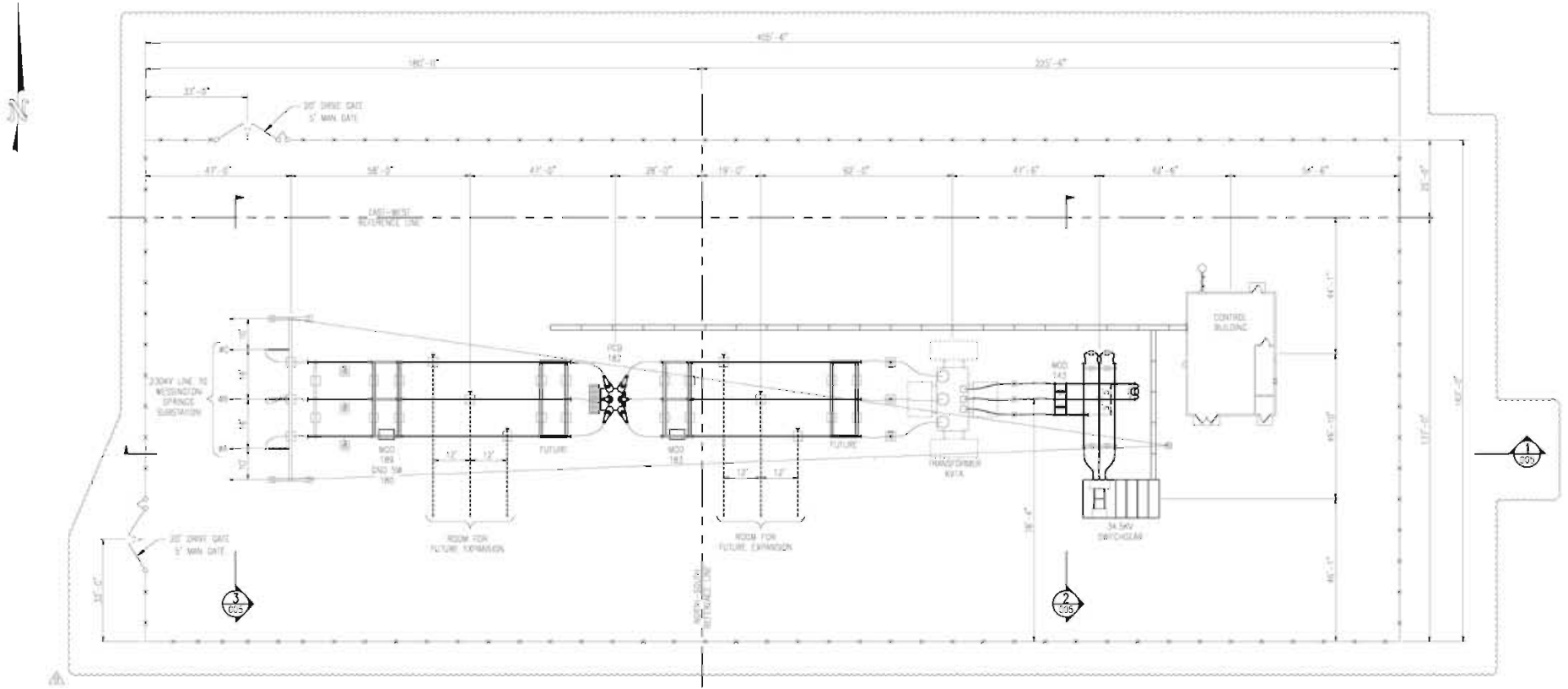


Typical Crane Pad Option 1

--This page left intentionally blank--



--This page left intentionally blank--



ELECTRICAL BUS ARRANGEMENT

TO BE COMPLETED OR VERIFIED:
 1. PCB SIZE
 2. XFMR SIZE
 4. CABLE TRENCH SIZE

- TYPES OF CONNECTIONS**
- 1. 230KV
 - 2. 34.5KV
 - 3. EXPANSION
- RPC SUBMITTAL REVIEW**
- 1. I AND EXCEPT AS NOTICED
 - 2. I APPROVED AS NOTICED: NAME CORRECTION AND REVISION
 - 3. I REVIEW AND RECOMMEND FOR APPROVAL: REVIEW PROCEEDINGS
- BY: _____ DATE: _____

PRELIMINARY

REVISIONS 1. REVISED PER RPC COMMENTS 2. SUBMITTED FOR REVIEW 3.		MAHARISHI ENGINEERING 200 200 200 200	JENSEN 200 200 200 200	DATE 1/1/2024
REVISIONS 1. 230KV ELECTRICAL LAYOUT PLAN 2. 34.5KV ELECTRICAL LAYOUT PLAN 3. 34.5/230KV ELECTRICAL LAYOUT ELEVATIONS 4. 34.5KV & 230KV ELEC. LAYOUT DETAILS SH. 1 OF 2 5. 34.5KV & 230KV ELEC. LAYOUT DETAILS SH. 2 OF 2		TRANSMISSION SYSTEM MAINTENANCE 443-054-E3-001 ELECTRICAL BUS ARRANGEMENT		DRAWN BY: J. JENSEN CHECKED BY: J. JENSEN DATE: 1/1/2024 PROJECT: 443-054-E3-001 SHEET: 1 OF 2 443-054-E3-001



--This page left intentionally blank--